

INSTRUCTIONS

Download and print the files from www.smithautomata.co.uk/paper.html

To build this paper Applause Machine you will need:

A ruler.

A small pair of sharp scissors or a Scalpel/craft knife.

A cutting mat or some old magazines to work on.

PVA glue or a glue stick.

About two hours of your time and dedication.

————— Cut out along solid lines.

- - - - - Score and hill fold broken lines.

..... Score and valley fold dotted lines.



Cut out and throw away.



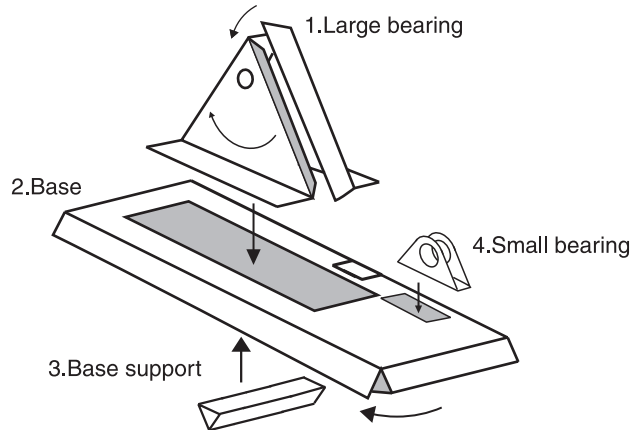
Small circles can be cut out with a paper hole punch.



Glue the shaded areas.

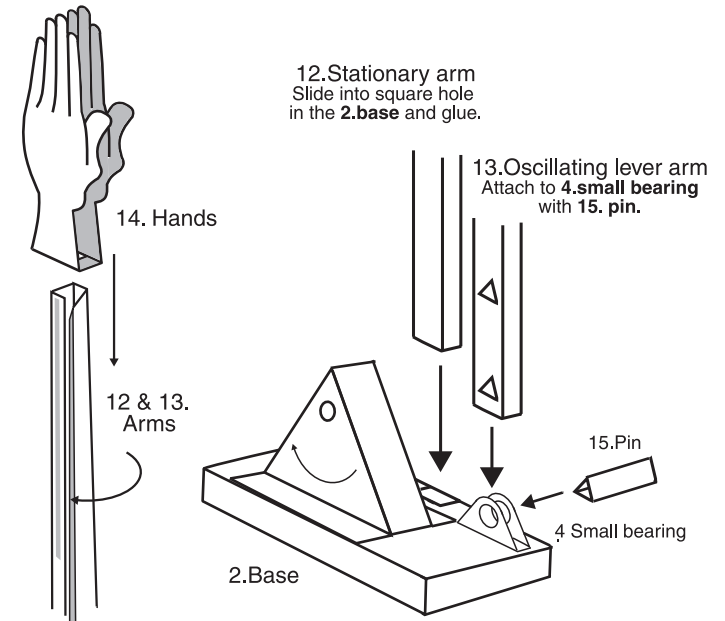
Stage 1.

Score, fold and assemble these parts. Then glue them all together.



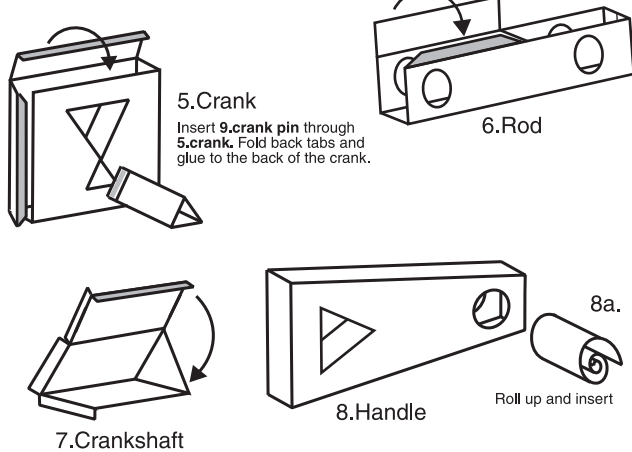
Stage 4.

Score, fold and glue the hands and arms. Slide the hands onto the arms and glue.



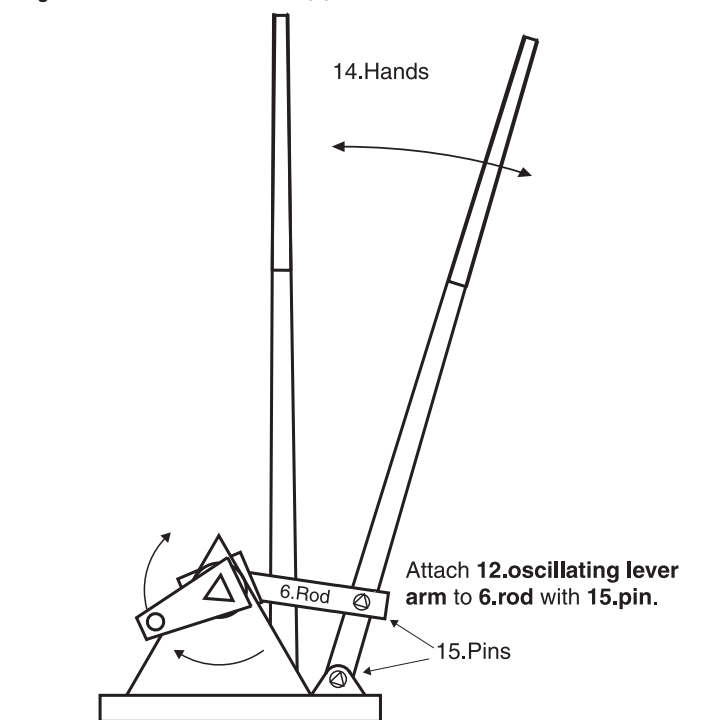
Stage 2.

Score, fold and glue these parts together.



Stage 5.

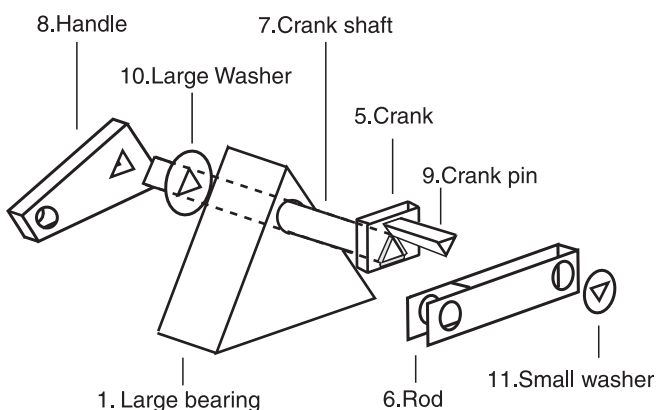
Finished Applause Machine



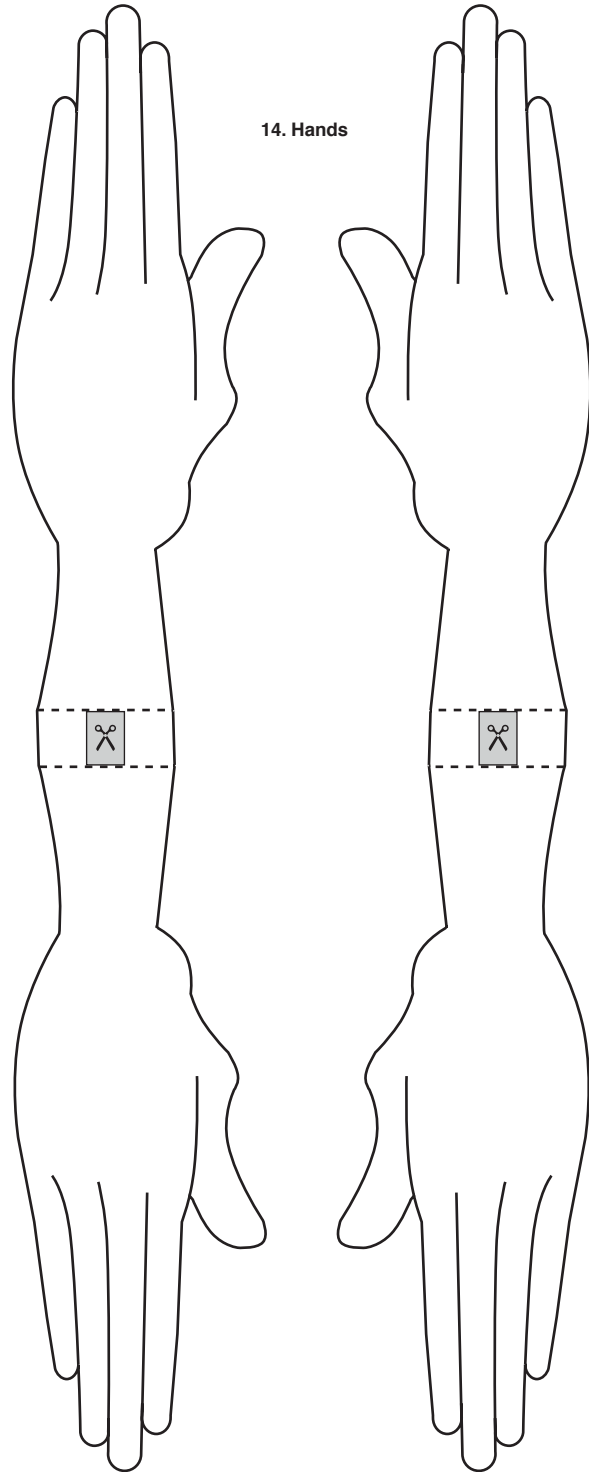
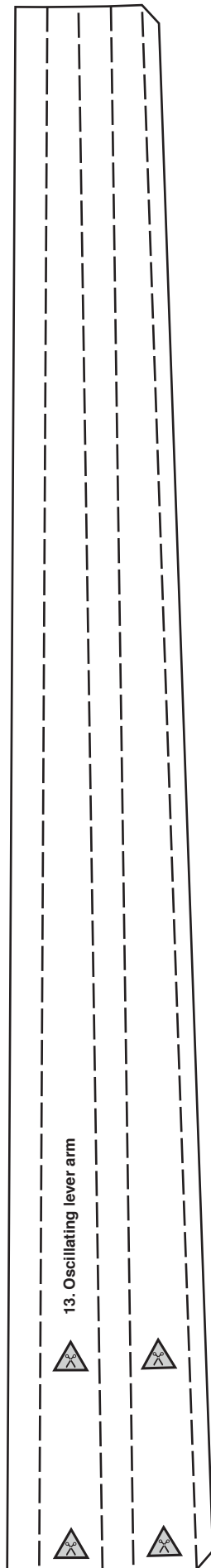
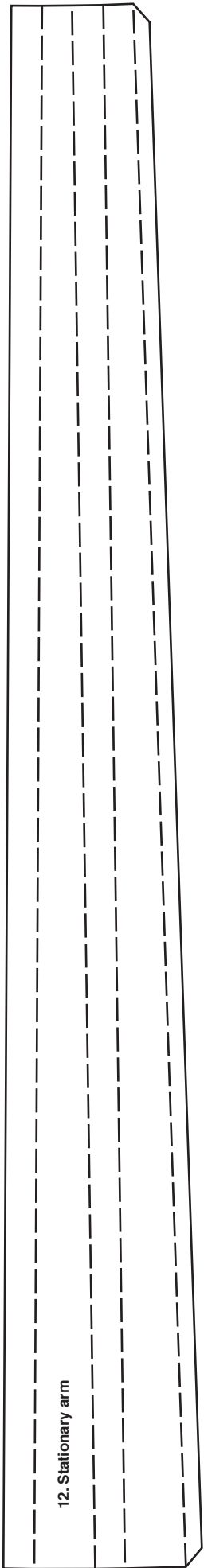
stage 6. Turn the handle to applaud yourself.

Stage 3.

Assemble the mechanism



PAPER APPLAUSE MACHINE



www.smithautomata.co.uk

PAPER APPLAUSE MACHINE

